



PIPE SUPPORT



# Stud Clip

Unique ratchet design ensures quick installation and adjustment.



Channel



Rod

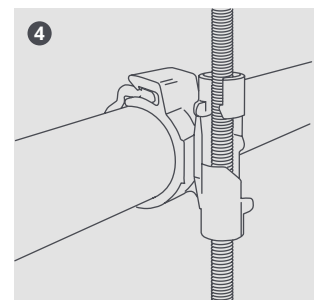
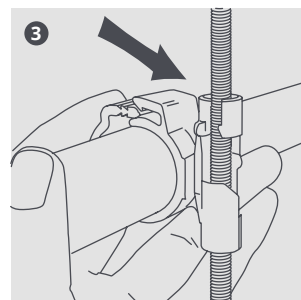
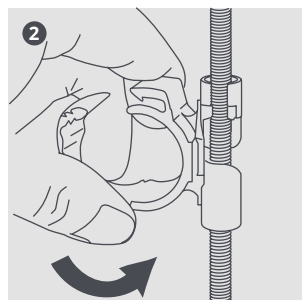
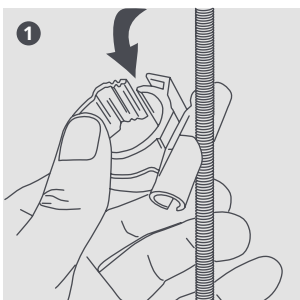


Surface

### Key Features (Stud Clip) 3 1/8"

- Available for M8 and M10 studding
- Fast fixing direct to studding
- Simple to install, adjust and relocate
- Fits metric and imperial pipe sizes

SPECIFICATIONS		SIZING OPTIONS				M8		M10		
Materials of construction	Nylon	Size	6mm	9mm	Lagging 13mm	19mm	Part No.	Pack Qty	Part No.	Pack Qty
Max. temp	70°C	6mm (1/4")					B6800/10	10	B6814/10	10
Max. rec. distance per clip	1.2m	10mm (3/8")					B6802/10	10	B6816/10	10
		13mm (1/2")					B6801/10	10	B6815/10	10
		16mm (5/8")					B6803/10	10	B6817/10	10
		19mm (3/4")	6mm (1/4")				B6804/10	10	B6818/10	10
		22mm (7/8")	10mm (3/8")				B6805/10	10	B6819/10	10
		25mm (1")	13mm (1/2")	6mm (1/4")			B6806/10	10	B6820/10	10
		28mm (1 1/8")	16mm (5/8")	10mm (3/8")			B6807/10	10	B6821/10	10
		32mm (1 1/4")	19mm (3/4")	13mm (1/2")			B6808/10	10	B6822/10	10
			22mm (7/8")	16mm (5/8")						
		35mm (1 3/8")		19mm (3/4")	10mm (3/8")		B6809/10	10	B6823/10	10
					13mm (1/2")					
		38mm (1 1/2")	28mm (1 1/8")	22mm (7/8")	16mm (5/8")		B6810/10	10	B6824/10	10
		41mm (1 5/8")	35mm (1 3/8")	28mm (1 1/8")	19mm (3/4")	6mm (1/4")	B6811/10	10	B6822/10	10
					22mm (7/8")	10mm (3/8")				
		50mm (2")				13mm (1/2")	B6812/10	10	B6822/10	10
		55mm (2 1/8")	41mm (1 5/8")	35mm (1 3/8")	28mm (1 1/8")	16mm (5/8")	B6813/10	10	B6827/10	10
				41mm (1 5/8")	35mm (1 3/8")	19mm (3/4")				
						22mm (7/8")				



Information correct at time of going to press. Not all products are available in all regions.

UK

part of ASPEN PUMPS GROUP

aspenpumps.com | +44 (0)1323 848842 | sales@aspenpumps.com

45