



# Micro & Maxi Stand

The ideal choice for ground-mounted support of all types of condensing units, mini-splits, VRV/VRF and heat pumps.

## KEY FEATURES ↓

- ✓ Suitable for all units.
- ✓ Adjustable length.
- ✓ Adjustable height.
- ✓ Max. load up to 450kg.

## PROPERTIES ↓

- ✓ Galvanised Frame
- ✓ Powder-coated in Black
- ✓ Temperature resistant -40 °C to +80 °C
- ✓ Quality assurance to ISO 9001 & ISO 14001

## OPTIONAL ADD-ONS ↓

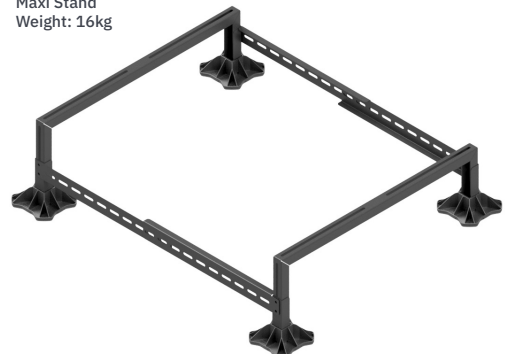
- (Sold separately)
- ✓ Vibration dampers up to 450kg load.
  - ✓ Micro & Maxi tray support.

Description	Part No.
Micro Stand	<b>BN8410</b>
Maxi Stand	<b>BN8411</b>
Maxi Tray Support	<b>BN8412</b>
Micro Tray Support	<b>BN8413</b>

**BN8410**  
Micro Stand  
Weight: 11.5kg

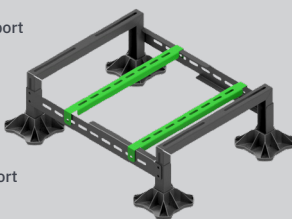


**BN8411**  
Maxi Stand  
Weight: 16kg



## OPTIONAL ADD-ONS ↓

**BN8413**  
Micro Tray Support  
Weight: 4kg



**BN8412**  
Maxi Tray Support  
Weight: 5.2kg

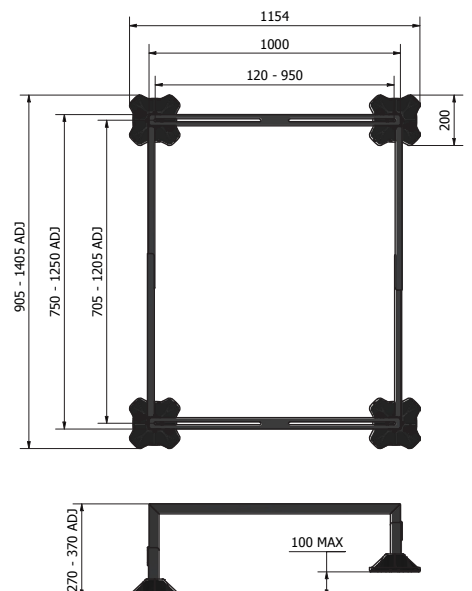
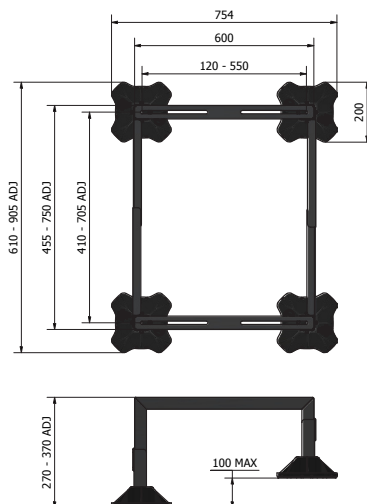


**9898-040**  
Vibration Damper  
Weight: 0.4kg

**S-093-95**  
Maxi Metal Drip Tray  
1100x420mm



**S-097-95**  
Micro Metal Drip Tray  
850x390mm



Information correct at time of going to press.