



Mini Lime®

CONDENSATE REMOVAL PUMP

The New Mini Lime is Aspen's all-in-one elbow mini pump. Complete with a 620mm length of EuroSplit trunking – less waste and better value! **Need more trunking options and the world's quietest mini pump? Please see our Silent+ Mini Lime.**

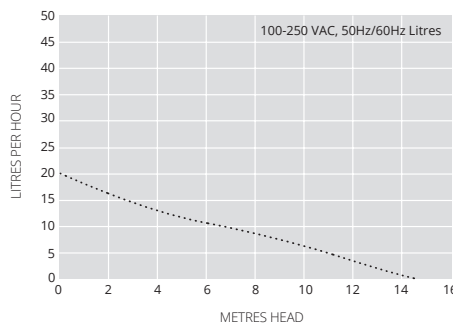
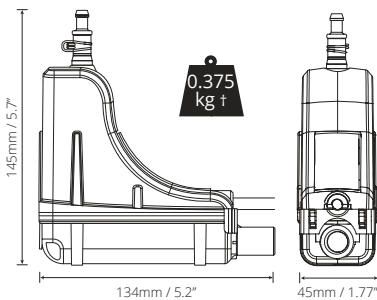
- 20L/h max. flow
- 15m max. rec. head
- 19dB(A) @ 1m

Key Features

- Plug & Play
- Fits all popular trunking systems
- Quick install
- 2 year warranty

Suitability

- Up to 26kW / 90,000Btu/h
- High wall split systems
- Left or right install
- **Perfect for...**
Commercial and domestic use



Univolt 100-250 VAC 50-60Hz	
Max. flow	20L/h @ 0m head
Max. rec. head	15m
dB(A) @ 1m	19
Power supply	100-250 VAC, 0.18A, 2.1W, 50/60Hz
Rated	Continuous
Class	II
Max. unit output	26kW (90,000Btu/h)
Max. ambient temp	40°C
Inlet/Outlet connections	Inlet o/d: Ø16mm Outlet o/d: Ø6mm
IP Protection	IP24
Safety switch	5.0A N.C. (Normally Closed)
Self priming	✓

SYSTEM OPTIONS		
System	Colour	Part No.
EuroSplit (620mm length)	Pure White	FP3580
	Signal White	FP3581
	Light Ivory	FP3582
	Anthracite	FP3583
	Black	FP3584
Mini Lime Replacement†		FP3579

For further trunking options, see our Silent+ Mini Lime range.

IN THE BOX
Mini Lime pump (including 1.5m Plug & Play cable) • 220mm inlet hose 14mm ID • 40mm Vinyl breather tube 6mm ID • Elbow front and back • 620mm trunking front and back • Ceiling plate • Drain connector kit • Fixing kit • Quick start guide

SPARES	
Description	Part No.
Hose Clamp 10.1 dia. (x10)	B3340
S+ Mini Pump spare filters (x10)	FP3330
Barbed anti-siphon device	FP3336/1
Mini Lime spares kit	FP3328

† Pump only – no trunking included.

Visit aspenspumps.com for more installation accessories.

Download full manual at aspenspumps.com

Watch installation video at aspenspumps.com